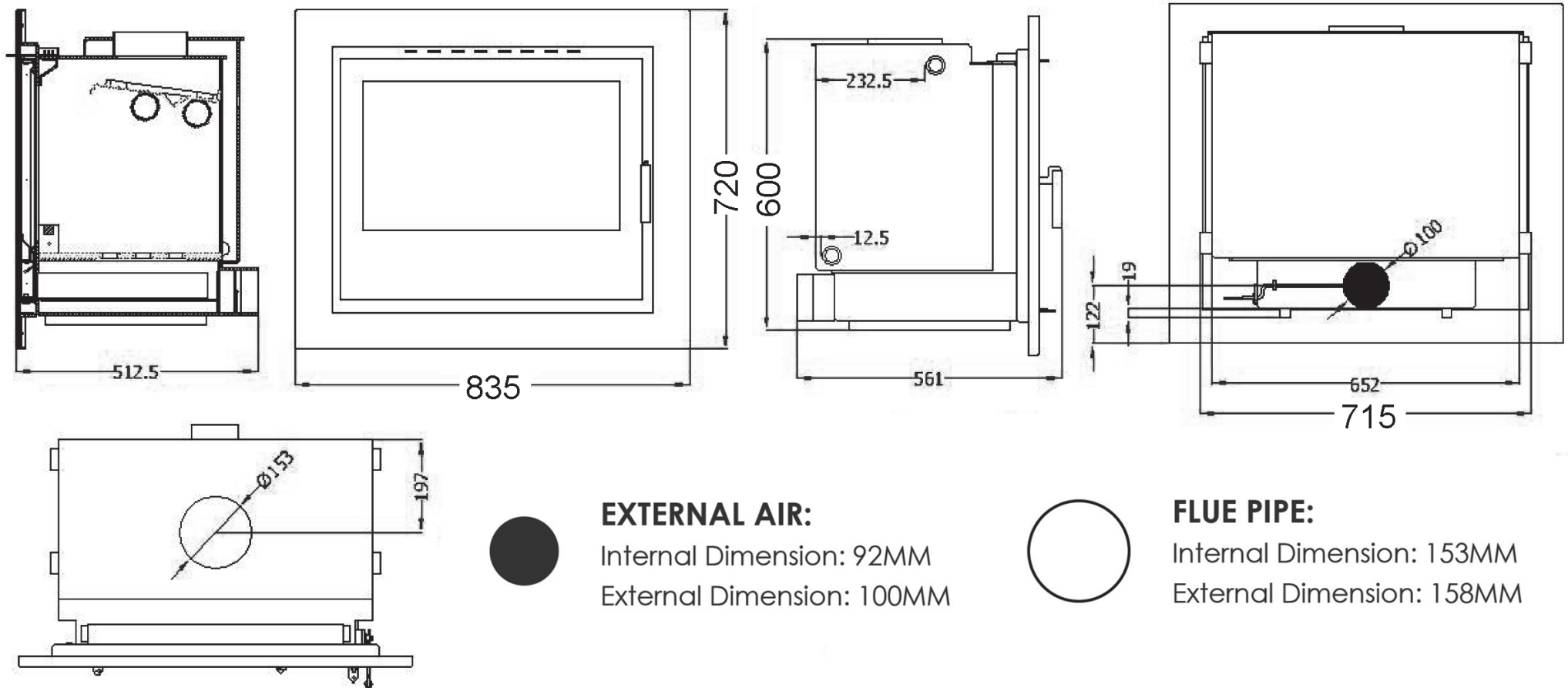


ATHENS 700 16kW - BOILER - DIMENSIONS



EXTERNAL AIR:

Internal Dimension: 92MM
External Dimension: 100MM

FLUE PIPE:

Internal Dimension: 153MM
External Dimension: 158MM

*All measurements in millimetres (MM)
All Dimensions are correct at time of publishing, but may be subject to slight change.
Please confirm exact dimensions before commencing installation works

HEIGHT: 720mm | WIDTH: 835mm | DEPTH: 465mm | FLUE SIZE: 153mm

BACK-BOX HEIGHT: 600mm | BACK-BOX WIDTH: 715mm