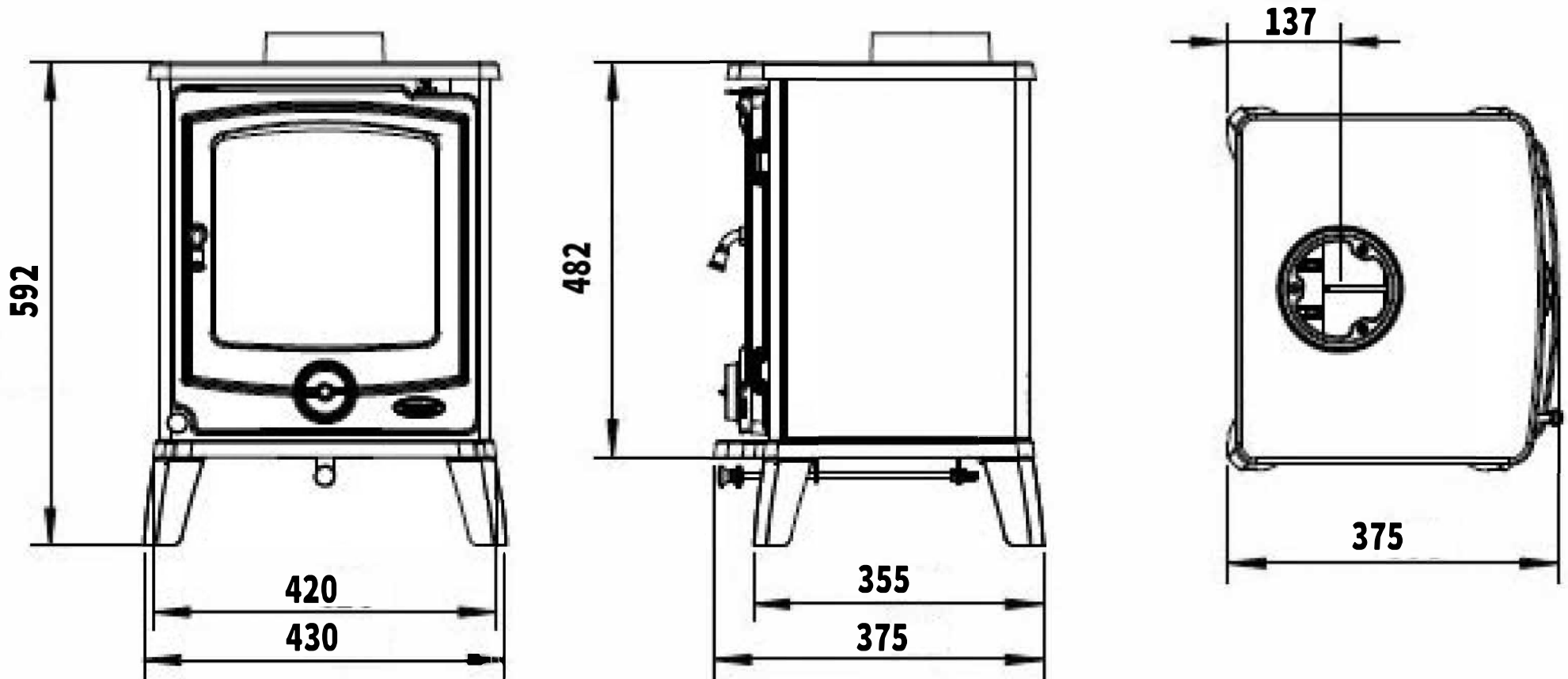


# CAMBRIDGE 7.5kW - DIMENSIONS



\*All measurements in millimetres (MM)  
All Dimensions are correct at time of publishing, but may be subject to slight change.  
Please confirm exact dimensions before commencing installation works

HEIGHT: 592mm | WIDTH: 430mm | DEPTH: 375mm | FLUE SIZE: 125mm